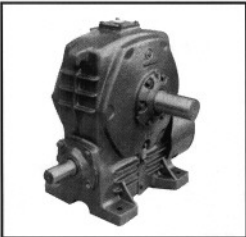
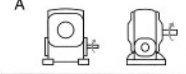
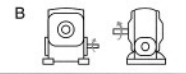
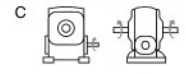
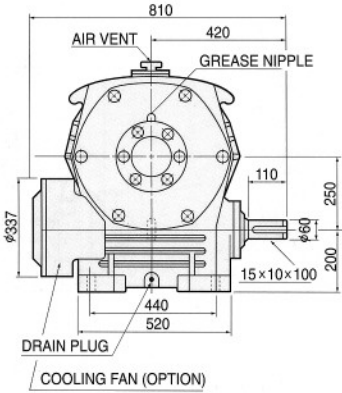
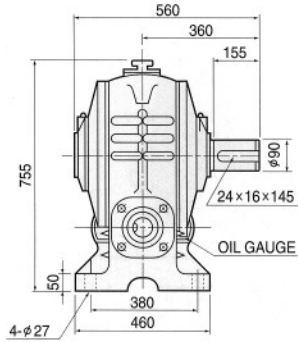

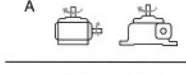
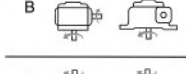
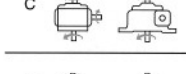
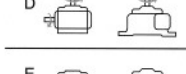


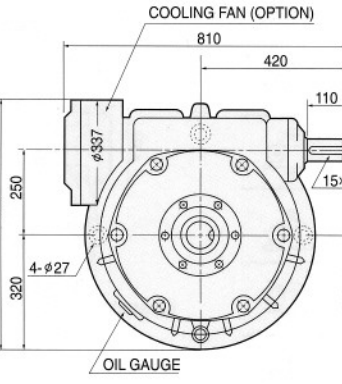
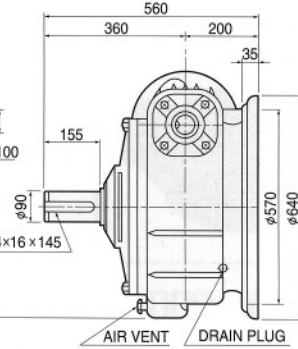




MAX21 WORM

MODEL	축배치 및 회전방향	도	면
 <p>WB-250</p>	<p>A</p>  <p>B</p>  <p>C</p> 	 <p>810 420 AIR VENT GREASE NIPPLE 110 250 200 15×10×100 440 520 DRAIN PLUG COOLING FAN (OPTION)</p>	 <p>560 360 155 755 24×16×145 OIL GAUGE 50 380 460 4-φ27</p>

 <p>WV-250</p>	<p>A</p>  <p>B</p>  <p>C</p>  <p>D</p>  <p>E</p>  <p>F</p> 	 <p>810 420 COOLING FAN (OPTION) 110 250 200 15×10×100 739 320 4-φ27 OIL GAUGE</p>	 <p>560 360 200 35 155 24×16×145 AIR VENT DRAIN PLUG φ90 φ570 φ640 313</p>
--	--	---	---

전동능력표

수치는 1일 8~10시간 연속 운전이고 균일 하중의 수치입니다.

RATIO	1800				1500				1200			
	INPUT rpm	INPUT HP	OUTPUT HP	OUTPUT T kgf-m	OUTPUT O.H.L kgf	INPUT HP	OUTPUT HP	OUTPUT T kgf-m	OUTPUT O.H.L kgf	INPUT HP	OUTPUT HP	OUTPUT T kgf-m
1/10	96.6	81.3	323	2700	88.3	74.2	354	2700	78.4	65.7	392	2700
1/15	72.3	59.3	354	2700	66.4	54.3	389	2700	57.9	47.2	423	2700
1/20	55.3	45.0	367	2700	49.2	39.9	391	2700	43.3	35.0	428	2700
1/25	41.0	33.1	342	2700	36.9	29.6	367	2700	32.1	25.6	397	2700
1/30	47.2	35.8	427	2700	42.2	31.9	457	2700	37.1	27.9	499	2700
1/40	32.9	24.6	401	2700	29.8	22.2	435	2700	25.9	19.1	468	2700
1/50	23.7	17.3	359	2700	21.2	15.4	383	2700	18.7	13.5	418	2700
1/60	20.2	14.6	350	2700	18.0	12.9	371	2700	16.8	11.9	426	2700

RATIO	900				600				300			
	INPUT rpm	INPUT HP	OUTPUT HP	OUTPUT T kgf-m	OUTPUT O.H.L kgf	INPUT HP	OUTPUT HP	OUTPUT T kgf-m	OUTPUT O.H.L kgf	INPUT HP	OUTPUT HP	OUTPUT T kgf-m
1/10	65.5	54.7	435	2700	51.8	42.6	508	2700	34.2	27.1	648	2700
1/15	49.0	39.7	474	2700	38.3	30.3	544	2700	25.3	19.2	689	2700
1/20	36.4	29.0	473	2700	28.7	22.4	549	2700	18.6	13.8	678	2700
1/25	27.3	21.3	441	2700	21.5	16.5	513	2700	13.7	9.96	618	2700
1/30	31.0	23.0	551	2700	24.7	17.6	633	2700	16.3	10.8	774	2700
1/40	22.8	16.4	537	2700	17.2	11.9	587	2700	11.4	7.30	715	2700
1/50	15.8	11.0	458	2700	12.2	8.23	511	2700	8.12	4.97	617	2700
1/60	13.4	9.21	439	2700	10.5	6.88	493	2700	6.91	4.13	591	2700