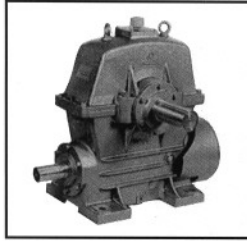


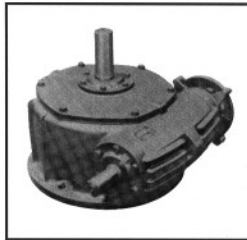
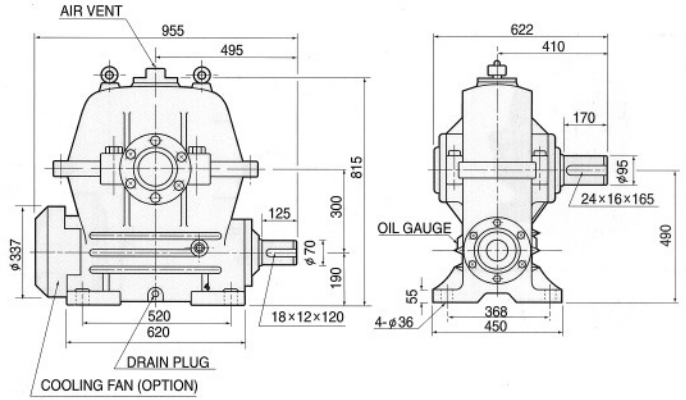
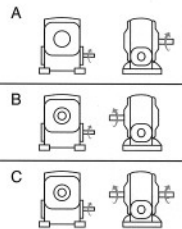
# Single Worm Reducer

## 1단 웜 감속기

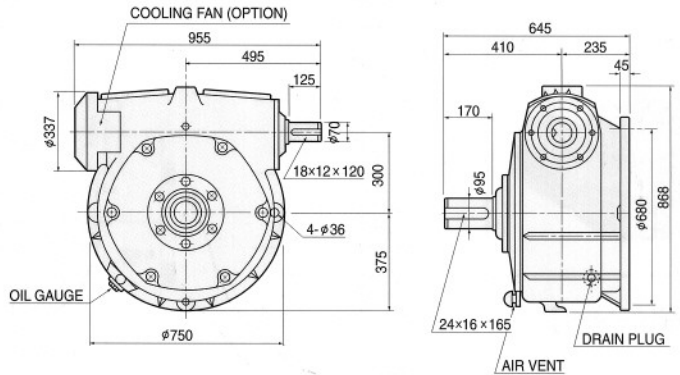
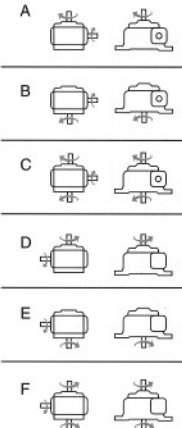
MODEL	축배치 및 회전방향	도면
-------	------------	----



**WB-300**



**WV-300**



### 전동능력표

수치는 1일 8~10시간 연속 운전이고 균일 하중의 수치입니다.

INPUT rpm RATIO	1800				1500				1200			
	INPUT HP	OUTPUT HP	OUTPUT T kgf-m	OUTPUT O.H.L kgf	INPUT HP	OUTPUT HP	OUTPUT T kgf-m	OUTPUT O.H.L kgf	INPUT HP	OUTPUT HP	OUTPUT T kgf-m	OUTPUT O.H.L kgf
1/10	137	116	479	2360	126	106	527	2470	111	94.3	581	2610
1/15	116	96.8	597	2600	107	88.9	658	2710	93.2	77.2	714	2880
1/20	93.8	77.1	614	2860	84.4	69.3	662	3000	73.5	60.1	718	3200
1/25	70.1	56.6	563	3100	62.9	50.7	605	3320	55.6	44.6	665	3510
1/30	80.1	62.3	769	3160	71.5	55.5	822	3330	62.8	48.6	899	3530
1/40	57.0	43.5	692	3600	50.8	38.7	740	3790	44.6	33.7	805	3800
1/50	40.6	29.9	595	3800	36.3	26.7	637	3800	31.8	23.1	691	3800
1/60	32.3	23.5	570	3800	29.1	21.0	612	3800	25.3	18.1	658	3800

INPUT rpm RATIO	900				600				300			
	INPUT HP	OUTPUT HP	OUTPUT T kgf-m	OUTPUT O.H.L kgf	INPUT HP	OUTPUT HP	OUTPUT T kgf-m	OUTPUT O.H.L kgf	INPUT HP	OUTPUT HP	OUTPUT T kgf-m	OUTPUT O.H.L kgf
1/10	93.3	78.7	647	2830	73.5	61.1	753	3170	48.3	38.9	961	3800
1/15	78.8	64.9	800	3120	61.4	49.6	919	3500	40.4	31.4	1160	3800
1/20	61.6	49.9	795	3470	48.5	38.5	920	3800	31.7	24.1	1150	3800
1/25	46.1	36.6	729	3810	36.5	28.3	845	3800	23.7	17.4	1030	3800
1/30	52.4	40.2	992	3800	41.5	30.7	1130	3800	23.3	16.2	1200	3800
1/40	39.3	29.2	931	3800	29.7	21.3	1010	3800	18.8	12.5	1200	3800
1/50	27.4	19.6	781	3800	21.1	14.4	863	3800	13.9	8.75	1040	3800
1/60	21.5	15.0	728	3800	16.6	11.1	811	3800	11.0	6.71	977	3800